

RAVAS-6100L

Pallet truck scale with programmable scale functions

BENEFITS

- Angled fork tips for easy access to low and closed pallets
- Advanced parts counting function
- Programmable scale functions
- RS232, RS485, 4-20 mA, 0-10V output
- For parts counting and special applications



Top quality

Customised functions



RAVAS PERFORMANCE LINE

RAVAS

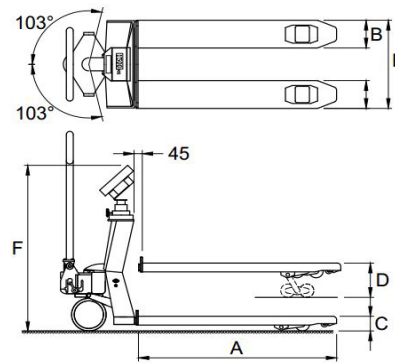
FUNCTIONS

- Automatic and manual zero correction
- Gross/net weighing
- Automatic and manual tare through numeric keypad
- Entry of alphanumeric codes (max. 10 characters)
- Internal memory for 9 pre-set tare values
- Totalling with sequence number
- Piece counting by sampling or calculation of piece weights
- Functions through parameters:
 - different print layout (on demand)
 - different basic functionality (e.g. dosing)
- Error messages in display
- Printer power supply is switched on and off by the indicator
- Internal clock for date and time
- Automatic switch off after 15 minutes of no use

STANDARD SPECIFICATIONS

- Weighing capacity 2,200 kg
- Graduation multirange:
 - 0 - 200 kg: graduation 0.2 kg
 - 200 - 500 kg: graduation 0.5 kg
 - 500 - 2,200 kg: graduation 1 kg
- Max. tolerance 0.1% of the load lifted
- Display LCD, digit height 14 mm, backlight
- Foil keypad 20 keys
- Protection class load cells IP67, indicator IP65
- Power consumption 170 mA
- Battery 12V exchangeable battery module
- Battery life 6 hrs/4 hrs*, charging time 6 hrs
- Charger 230V/12Vdc - 300 mA
- Steering wheels rubber
- Loading wheels polyurethane, tandem
- Colour red (RAL 3000), epoxy painted
- Truck with quick lift, 118 kg

DIMENSIONS IN MM



A	Fork length	1050
B	Fork width	170
C	Minimum fork height	87
	Space underneath fork	22
D	Maximum fork height	205
	Lifting height	120
E	Width over forks	550
F	Height to top indicator	930
	Tolerance +/-	3 mm

For approved versions, class OIML III : European approval no. T2782, switch-off of display when tilting more than 2°.

Graduation: multi-range 0.5/1 kg, or one of the following fixed graduations:

- 1,000 divisions: 1.0/1,000 kg or 2.0/2,000 kg
- 2,000 divisions: 0.5/1,000 kg or 1.0/2,000 kg



• ISO 9001
• ISO 14001

OPTIONS*

- Built-in thermal printer
- Bluetooth or WLAN output
- Client specific software (Touch)
- Legal for trade version, OIML III

RAVAS Europe B.V.

P.O. Box 2023, NL-5300 CA Zaltbommel, The Netherlands
T. +31 (0)418 51 52 20, F. +31 (0)418 51 53 20
backoffice@ravas.com, www.ravas.com

* The use of options may change related specifications. rev.20160125 Changes reserved

