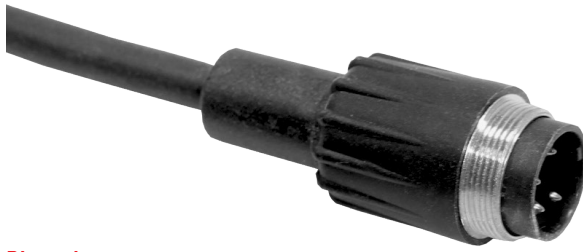
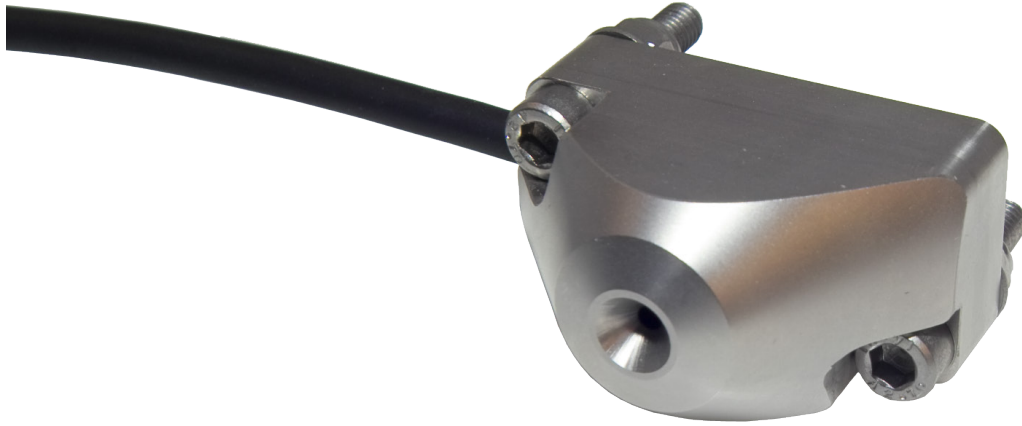


Vision is  
our mission®

Camera AMOS CPH 51°PAL  
Article no. 0199700  
Camera AMOS CPH 51°PAL 0.2B  
Article no. 0199710  
2017 • DS0961470 EN A 01

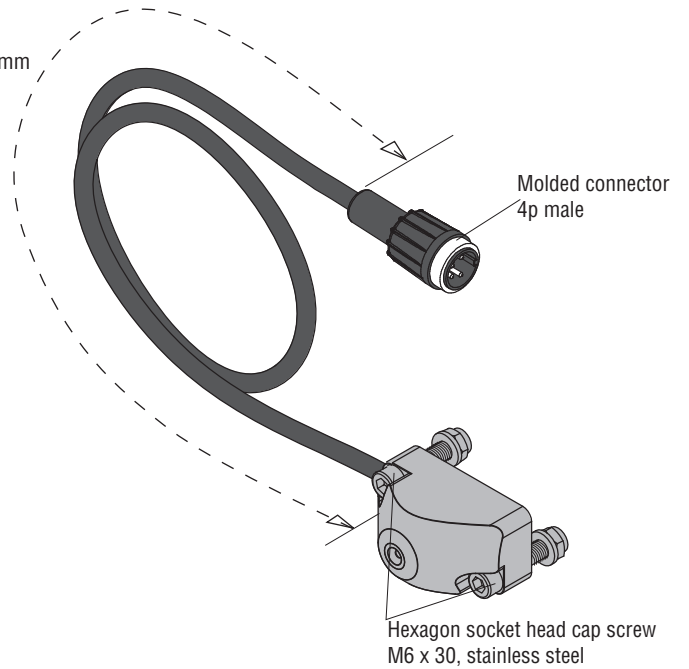
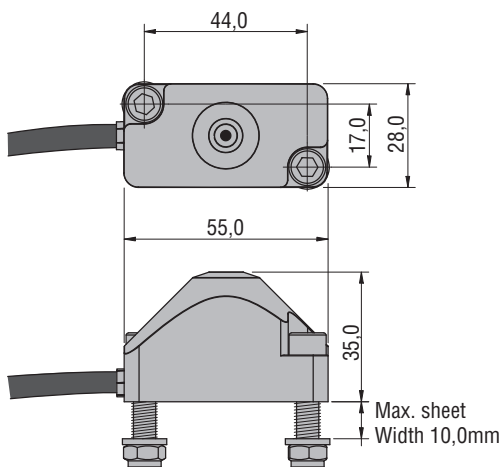
# Product Data



## Dimensions

units in mm

Length 200/600mm



## TECHNICAL DATA

### Camera AMOS CPH 51° PAL

### Camera AMOS CPH 51° PAL 0.2B

|                       |                                   |                |
|-----------------------|-----------------------------------|----------------|
| <b>Article number</b> | <b>0199700</b>                    | <b>0199710</b> |
| <b>Cable length</b>   | 600mm                             | 200mm          |
| <b>Weight</b>         | 0,300kg                           | 0,250kg        |
| <b>Lens specified</b> | 51° horizontal, and 38° vertical. |                |

#### Description

|                          |  |
|--------------------------|--|
| <b>Video signal</b>      | PAL Standard, 1,0Vpp. composite video at 75Ω.    |
| <b>Sensor element</b>    | 1/4" CMOS digital image sensor. 640(H) x 480(V). |
| <b>Light sensitivity</b> | <0,05 Lux.                                       |
| <b>Dynamic range</b>     | 80dB.  |

#### Sensor

|                               |   |
|-------------------------------|---|
| <b>Power input</b>            | Stabilised 12V/DC.  |
| <b>Power consumption</b>      | <+15°C: 3W and >+15°C: 1,2W (heating off).  |
| <b>Cable</b>                  | Multicable with 4 pins molded male connector (camera power-input and video-output). |
| <b>Min. cable bend radius</b> | 50mm.   |

#### Electrical

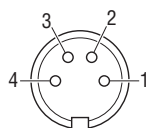
|                              |  |
|------------------------------|--|
| <b>Housing</b>               | Stainless steel 316.   |
| <b>Lens glass</b>            | 2 mm chemically hardened, toughened, tempered float glass 7 x stronger than ordinary glass with anti reflective coating.   |
| <b>Protection</b>            | IP68 according to IEC 60529 (up to 10m under water). IP69K according to DIN 40050-9, camera housing can withstand high pressure cleaning with water; 14-16L/min. 80°C and 100 bars flow. |
| <b>Shock constancy</b>       | Shock and vibration resistant for usage on forks of forklift trucks, 50G shock test and 15G random vibration test.   |
| <b>Mounting hardware</b>     | Standard stainless steel.  |
| <b>Operating temperature</b> | -40°C to +85°C.  |
| <b>Storage temperature</b>   | -40°C to +125°C.   |

#### Mechanical

|                  |  |
|------------------|--|
| <b>Approvals</b> | Product is in compliance with the EMC directive. |
|------------------|--|

#### Certification

#### Electrical connections



Front side 4p molded male connector

|                    |             |
|--------------------|-------------|
| 1 = Coax core      | = video     |
| 2 = Coax shielding | = Video GND |
| 3 = Red            | = 12V/DC    |
| 4 = Black          | = 0V        |
| Shield             | = GND       |

All data subject to change without notice. All dimensions are for commercial purpose only.  
The camera/display systems from Orlaco comply with the latest CE, ADR, EMC and mirror-directive regulations, where applicable.  
All products are manufactured in accordance with the ISO 9001 quality management system, ISO/TS 16949 quality automotive, ISO 14001 environmental management systems and all Ex products with the IECEx scheme and ATEX directives, where applicable.

